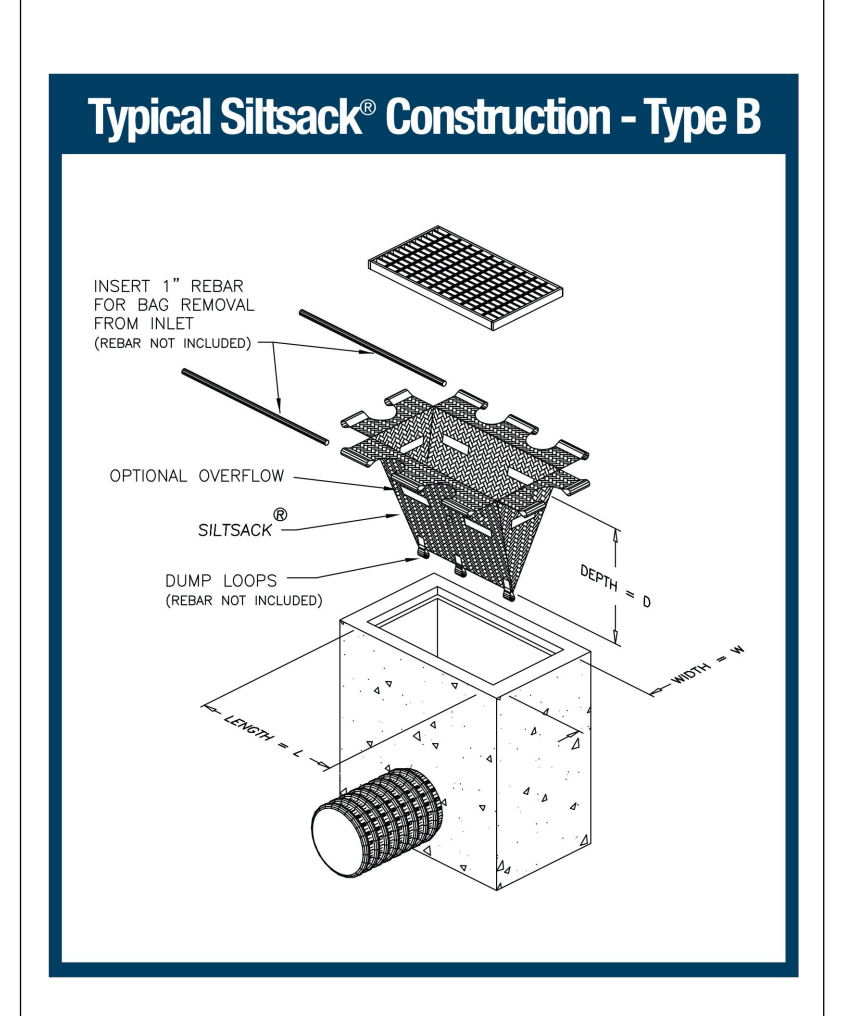


- GRAVEL SHOULDER & DRIVEWAY REMOVAL
- CLEARING, GRUBBING & VEGETATION REMOVAL
- MUD MATS (50mm - 100mm GRANULAR B. TYPE II)
- REMOVAL OF CONCRETE AND ASPHALT SIDEWALKS AND CURBS, INCLUDING PAVERS (OF ALL TYPES)
- X** REMOVALS
- LIGHT DUTY SILT FENCE PER OPSD 219.110
- TERRAFIX SILTSACKS INSTALLED AT CATCH BASIN
- EXISTING CONTOUR AND ELEVATION
- STRAW BALE FLOW CHECK PER OPSD 219.180

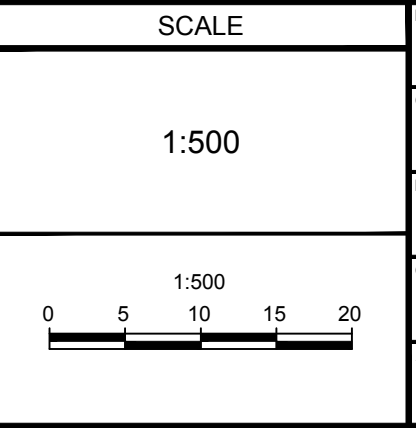
- EROSION AND SEDIMENT CONTROL NOTES:**
1. ALL EROSION AND SEDIMENT CONTROLS SHALL BE INSTALLED TO THE SATISFACTION OF THE ENGINEER, THE MUNICIPALITY AND THE CONSERVATION AUTHORITY. THEY SHALL BE APPROPRIATE TO THE SITE CONDITIONS, PRIOR TO UNDERTAKING ANY SITE ALTERATIONS (FILLING, GRADING, REMOVAL OF VEGETATION, ETC.) AND DURING ALL PHASES OF SITE PREPARATION AND CONSTRUCTION. THESE PRACTICES SHALL BE IMPLEMENTED IN ACCORDANCE WITH THE CURRENT BEST MANAGEMENT PRACTICES FOR EROSION AND SEDIMENT CONTROL AND SHOULD INCLUDE AS A MINIMUM THOSE MEASURES INDICATED ON THE PLAN.
 2. TO PREVENT SURFACE EROSION FROM ENTERING THE DITCH OR STORM SYSTEM DURING CONSTRUCTION, A LIGHT DUTY SILT FENCE BARRIER WILL ALSO BE INSTALLED IN SELECTED LOCATIONS SHOWN ON THIS PLAN. TERRAFIX SILT SOCKS ARE TO BE INSTALLED ON ALL PROPOSED CATCHBASINS AND ON EXISTING CATCHBASINS INDICATED ON THE PLAN. THESE CONTROL MEASURES WILL REMAIN IN PLACE UNTIL VEGETATION HAS BEEN ESTABLISHED AND CONSTRUCTION COMPLETE.
 3. THE SEDIMENT CONTROL MEASURES SHALL ONLY BE REMOVED WHEN, IN THE OPINION OF THE ENGINEER, THE MEASURES ARE NO LONGER REQUIRED. NO CONTROL MEASURES MAY BE PERMANENTLY REMOVED WITHOUT PRIOR AUTHORIZATION FROM THE ENGINEER.
 4. THE CONTRACTOR SHALL IMMEDIATELY REPORT TO THE ENGINEER ANY ACCIDENTAL DISCHARGES OF SEDIMENT MATERIAL INTO ANY DITCH OR STORM SEWER SYSTEM. APPROPRIATE RESPONSE MEASURES, INCLUDING ANY REPAIRS TO EXISTING CONTROL MEASURES OR THE IMPLEMENTATION OF ADDITIONAL CONTROL MEASURES, SHALL BE CARRIED OUT BY THE CONTRACTOR WITHOUT DELAY.
 5. THE CONTRACTOR ACKNOWLEDGES THAT FAILURE TO IMPLEMENT EROSION AND SEDIMENT CONTROL MEASURES MAY BE SUBJECT TO PENALTIES IMPOSED BY ANY APPLICABLE REGULATORY AGENCY.
 6. THE CONTRACTOR SHALL PROVIDE DUST CONTROL WITH THE APPLICATION OF WATER AND/OR CALCIUM CHLORIDE AS REQUIRED.
 7. THE CONTRACTOR SHALL PROTECT ALL SURVEY MONUMENTS.



NOTE:
THE POSITION OF ALL POLE LINES, CONDUITS, WATERMANS, SEWERS AND OTHER UNDERGROUND AND OVERGROUND UTILITIES AND STRUCTURES IS NOT NECESSARILY SHOWN ON THE CONTRACT DRAWINGS, AND WHERE SHOWN, THE ACCURACY OF THE POSITION OF SUCH UTILITIES AND STRUCTURES IS NOT GUARANTEED. BEFORE STARTING WORK, DETERMINE THE EXACT LOCATION OF ALL SUCH UTILITIES AND STRUCTURES AND ASSUME ALL LIABILITY FOR DAMAGE TO THEM.



No.	REVISION	DATE	BY
1.	ISSUED FOR APPROVAL	JUN 6/23	MAB



FOR REVIEW ONLY

DESIGN	LRW
CHECKED	MAB
DRAWN	DTD
CHECKED	LRW
APPROVED	MAB

Engineers, Planners & Landscape Architects
Suite 200, 240 Michael Cowland Drive
Ottawa, Ontario, Canada K2M 1P6
Telephone: (613) 254-9643
Facsimile: (613) 254-5867
Website: www.novatech-eng.com

TOWN OF PERTH
HARRIS STREET DEVELOPMENT

MAPLE LEAF HOMES

SITE REMOVALS, EROSION AND SEDIMENT CONTROL PLAN

PROJECT No: 121225

REV # 1

DRAWING No: 121225-ESC